

# B AC Motors

## E.M. Brake Motor 6W (□70mm)

# 6W

Electromagnetic  
Brake Motor  
6W(□70mm)

### Motor Specification

Model 7BDG□-6G: Gear Type Shaft 7BDD□-6: D-Cut Type Shaft	Output W	Voltage V	Frequency Hz	Poles	Duty	Starting Torque kgfcm N.m		Rated Load			Capacitor μF / VAC	
								Speed r/min	Current A	Torque kgfcm N.m		
7BDGA-6G	6	1φ110	60	4	30min.	0.64	0.064	1600	0.29	0.50	0.050	3.0 / 250
7BDGD-6G	6	1φ220	60	4	30min.	0.85	0.085	1600	0.16	0.60	0.060	1.0 / 450
7BDGE-6G	6	1φ220	50	4	30min.	0.61	0.061	1250	0.13	0.68	0.068	0.8 / 450
		0.75				0.075	0.76			0.076		

- 1) Enter the phase & voltage code in the box (□) within the motor model name.
- 2) All models contain a built-in thermal protector.
- 3) Gear Type Shaft is for attaching gearhead and D-Cut Type Shaft is for using motor only.

### Max. Permissible Torque at Output Shaft of Gearhead

#### 60Hz

Motor Model	Gearhead Model	Gear Ratio	3	3.6	6	7.5	9	12.5	15	18	25	30	36	50	60	75	90	100	120	150	180
			r/min	600	500	300	240	200	144	120	100	72	60	50	36	30	24	20	18	15	12
7BDG□-6G	7GBK□BMH	kgfcm	1.5	1.8	3.0	3.7	4.5	6.2	7.5	9.0	11.3	13.5	14.7	20.4	24.5	30.6	36.7	40.8	49.0	50.0	50.0
		N.m	0.15	0.18	0.29	0.37	0.44	0.61	0.73	0.88	1.10	1.32	1.44	2.00	2.40	3.00	3.60	4.00	4.80	4.90	4.90

#### 50Hz

Motor Model	Gearhead Model	Gear Ratio	3	3.6	6	7.5	9	12.5	15	18	25	30	36	50	60	75	90	100	120	150	180
			r/min	500	416	250	200	166	120	100	83	60	50	41	30	25	20	16	15	12.5	10
7BDG□-6G	7GBK□BMH	kgfcm	1.7	2.0	3.4	4.2	5.1	7.1	8.5	10.2	12.8	15.3	16.6	23.1	27.7	34.7	41.6	46.2	50.0	50.0	50.0
		N.m	0.17	0.20	0.33	0.41	0.50	0.69	0.83	1.00	1.25	1.50	1.63	2.27	2.72	3.40	4.08	4.53	4.90	4.90	4.90

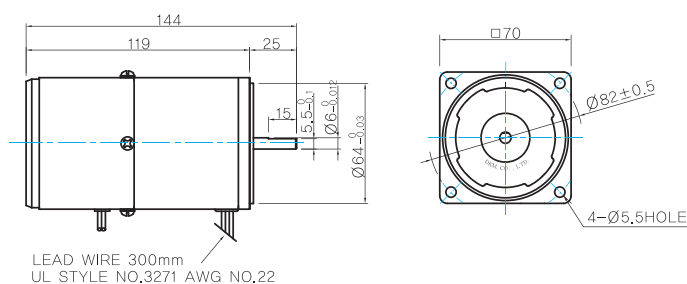
- 1) Enter the phase & voltage code in the box (□) within the motor model name.
- 2) Enter the gear ratio in the box (□) within the gearhead model name.
- 3) A colored background indicates gear shaft rotation in the same direction as the motor shaft; a white background indicates rotation in the opposite direction.
- 4) The rotating speed is calculated by dividing the motor's synchronous speed (50Hz: 1,500r/min, 60Hz: 1,800r/min) by the gear ratio.  
The actual speed is 2~20% less than the displayed value, depending on the size of the load.

### Dimensions

#### MOTOR ONLY

- MOTOR MODEL: 7BDD□-6 (NO FAN)

#### MOTOR OUTPUT SHAFT



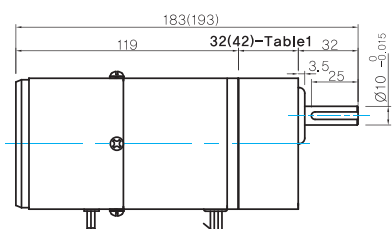
MODEL	SPEC
D-CUT TYPE	

## GEARED MOTOR

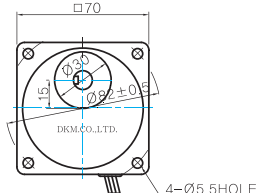
### G TYPE GEARHEAD

- MOTOR MODEL:  
7BDG□-6G (NO FAN)

- GEARHEAD MODEL:  
7GBK□BMH



LEAD WIRE 300mm  
UL STYLE NO.3271 AWG NO.22



### GEARHEAD OUTPUT SHAFT

MODEL	SPEC
KEY TYPE	

### KEY SPEC

GEARHEAD	

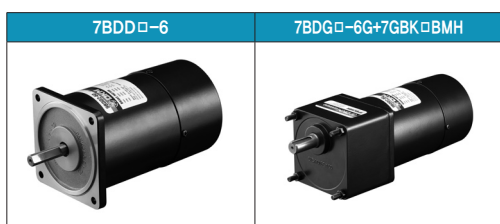
### WEIGHT

PART	WEIGHT(Kg)	
MOTOR	1.3	
GEAR HEAD	7GBK3BMH - 7GBK18BMH	0.36
	7GBK25BMH - 7GBK30BMH	0.44
	7GBK36BMH - 7GBK180BMH	0.5

### 32(42)-Table1

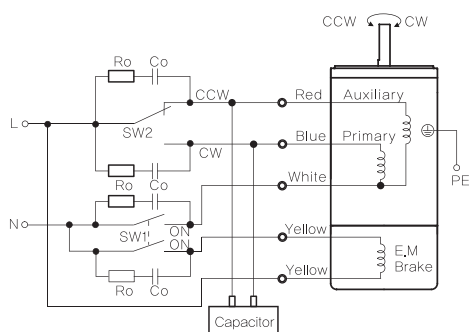
SIZE(mm)	GEAR RATIO
32	7GBK3BMH - 7GBK18BMH
42	7GBK25BMH - 7GBK180BMH

## Motor Images



## Connection Diagrams

### Single Phase



#### \* Rotation Direction:

To rotate the motor in a clockwise (CW) direction, turn SW2 to CW.  
To rotate the motor in a counterclockwise (CCW) direction, turn SW2 to CCW.

Switch No.	Specifications		Note
	Single Phase 110V/115V Input	Single Phase 220V/230V Input	
SW1	AC 125V 3A minimum (Inductive load)	AC 250V 1.5A minimum (Inductive load)	Switched Simultaneously
SW2			-

- The direction of motor rotation is as viewed from the shaft end of the motor.
- CW represents the clockwise direction, while CCW represents the counterclockwise direction.
- SW1 operates both motor and electromagnetic brake action.
- The electromagnetic brake will be released and the motor will rotate when SW1 is switched simultaneously to ON. When SW1 is switched simultaneously to OFF, the motor stops immediately with the electromagnetic brake and holds the load.
- If you wish to release the brake while the motor is stopped, apply voltage between the two brake lead wires (yellow).
- Ro and Co indicate CR circuit for surge suppression. [Ro=5~200Ω, Co=0.1~0.2μF, 200WV (400WV)]